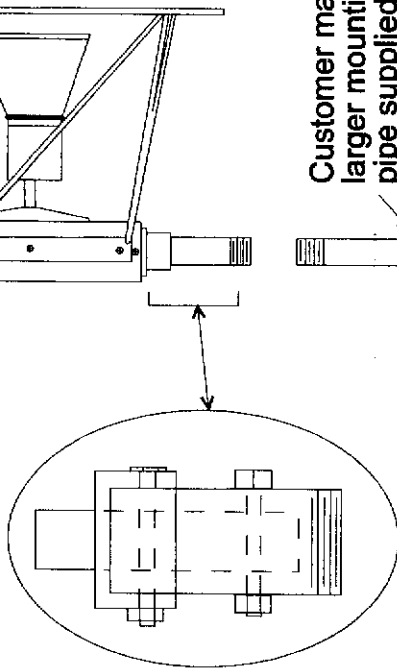


LIGHTED WINDSOCK FRAME Model 750 Series Photo Control (PC) unit optional 750LWF-DFAA, top Beacon optional

The pipe extending above the frame is for the installation of a top beacon when ordered. Two bolts and nuts provided. Do not remove.



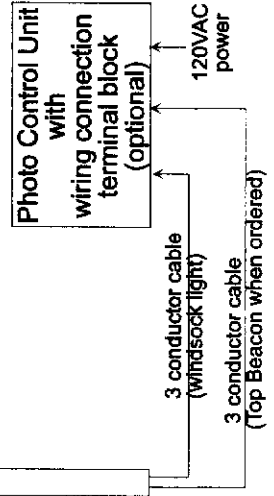
Customer may connect a 1" or larger mounting pipe below pipe supplied using the proper coupling.

Eight (8) foot 1" (ID) Sch 40 mounting pipe supplied "By Others" for mounting

Windsock in a limp position (no wind) hangs down from frame approximately...
C421IO (18"x5"x8") 33 inches
C422IO (18"x8"x8") 66 inches

Wires from windsock frame to Control Unit 10 feet (approximately).

Two feet left for supporting pole (approximately).



FRAME INSTALLATION GUIDE - 18" - TOP BEACON

READ ALL INSTRUCTION BEFORE ATTEMPTING INSTALLATION

- The wiring to the lighted windsock / top beacon is always installed inside the windsock frames support piping. One optional AC powered top beacon is available.
- Optional item. Model 750LWF-DFAA (Dialight FAA obstruction light) Normally the top beacon is shipped loose and must be installed in the field. See attached Mfg's instructions.
- Check that everything is secure before up righting windsock assembly. Install the mounting pole and Photo Control Unit (PC) as shown. All AC powered systems require 120VAC power. The LED light bulb (PAR 38) is screwed into the lampholder. Make sure it is hand tight at all times.
- Connect the wires coming from the LED light assemblies to a 120 volt power source. If a Photo Control Unit (PC) is supplied follow instructions and observe all polarities.
- Connect AC power to PC Unit and to marked terminals. All wires should enter the bottom of the PC Unit through the supplied compression fitting. Tighten compression fitting after wiring is complete.
- Check all wiring is correct and secure before securing PC Control Units cover. Check operation of system by applying AC power. The LED lights (load) will turn ON and automatically turn OFF in about 5 minutes. Cover the photo control sensor to simulate night and the lights should come ON. Customer may elect to control the time power is applied to the windsock light/s where our PC Unit will not be supplied.
- Model 751LWF-PC system available but not recommended. This model is where the Photo Control (PC) is part of the windsock frame assembly.
- PAR 38 LED's bulbs may fail because of electrostatic fields in the area. Check frequently. Observe all electrical codes during installation. Do Not service this unit with power ON. Turn power OFF during service.
- The power source for this BDS model 750 series lighted windsock system must be 120VAC, 60Hz.
- The lighted windsock frame supplied with one 120 volt PAR 38 LED bulb is model 751. The lighted windsock frame supplied with two 120 volt PAR 38 LED bulbs is model 752.
- Three (3) conductor cable. Black wire connects to 120VAC (hot), White wire connects to 120VAC (neutral), third wire marked Green connects to ground. See wiring diagram.

NO SCALE

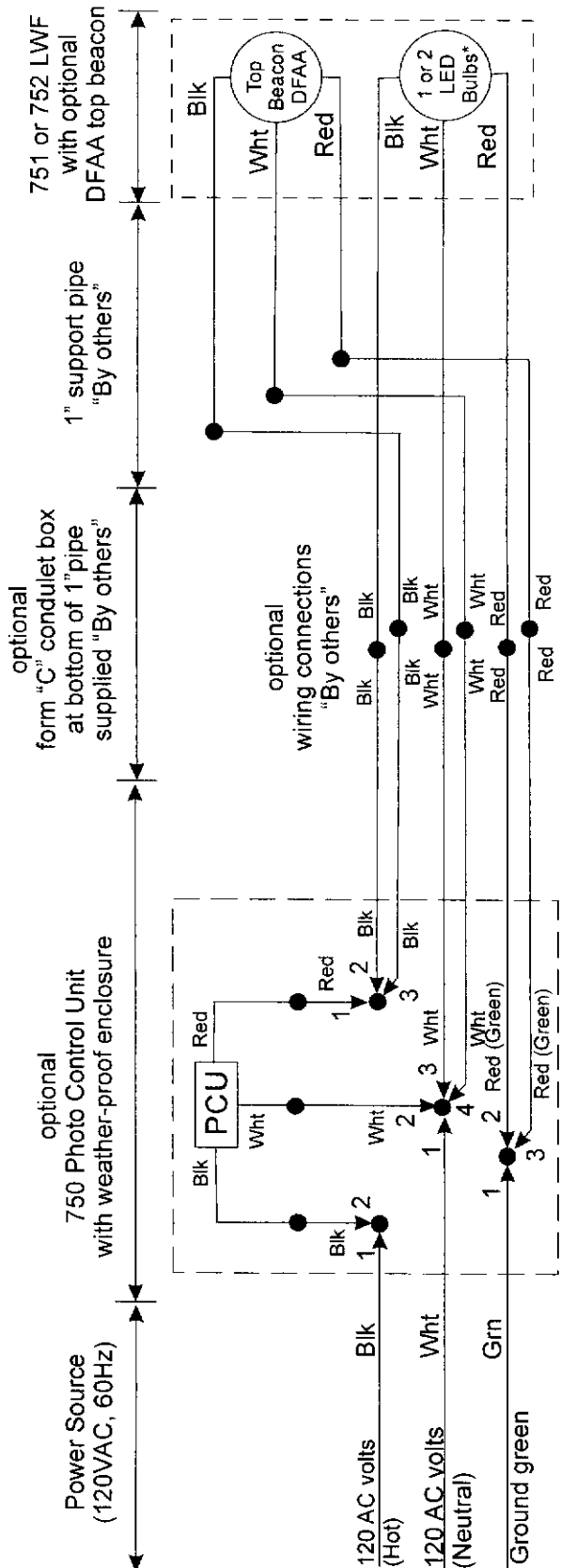
BDS SYSTEMS INC.

939 NATHANIEL TRAIL • WARWICK, PA 18974

DRAWN KLB	DATE 8/21/13	120V LIGHTED WINDSOCK INSTALLATION (Mech/Elect)	REV
APPD RBB	DATE 6/8/15	BDSAC120a.des	

BDS 751 / 752 SERIES LIGHTED WINDSOCK WIRING

751 / 752 Series Wiring Info with optional 750 Photo Control Unit and optional DFAA Top Beacon



NOTES

- Note wiring polarities on all connections. The grounding wire is not required on some installations.
- The 750 Photo Control Unit (PCU) is a wiring connection box and controls when power is supplied to the windsock light/s from dusk to dawn. Customer can eliminate the PCU and manually control when power is supplied to the windsock light/s. The 750 PCU is only supplied when ordered.
- The 751 LWF has one LED PAR38 bulb, the 752 LWF has two LED PAR38 bulbs.
- Use only a 120 volt LED bulb as supplied. (Westinghouse LED PAR38 outdoor flood. P/N 03114).
- Place all wire in approved enclosures and install per local wiring codes.
- Grounding wire only supplied when specified. Check wire color.
- Check the LED bulb/s are hand tight at all times. All lights are LED's.
- Disconnect AC power when working on the system. Check all wiring.
- The 1" support pipe may be larger than 1" depending on installation.
- PCU and Wiring Connection Enclosure maybe 1 or 2 boxes.
- The DFAA top beacon is only supplied when ordered.

BDS SYSTEMS INC.
 939 NATHANIEL TRAIL • WARWICK, PA 18974

DRAWN KLB	DATE 3/31/15	BDS 751_752 Series wiring connections
APPD RBB	DATE 11/1/15	751_752 syswiring.des
		REV

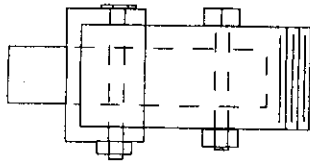
www.bdssystems.com

NO SCALE

215-345-0436

LIGHTED WINDSOCK FRAME

Mounting Pipe Hardware

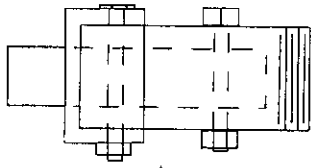


Windsock frame
1" (ID) mounting.
pipe connection.
Supplied by
BDS Systems.

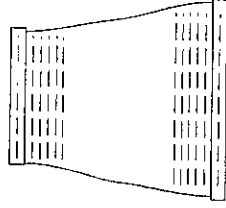
1" coupling
supplied
"By Others".

1" support pipe
supplied
"By Others".

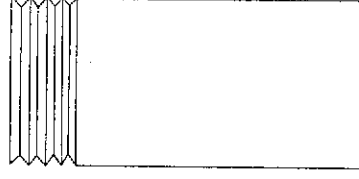
Using a coupling



1 1/2" X 1" reducer
coupling shown.
Supplied
"By Others"



1 1/2" support pipe
supplied
"By Others"



Using a reducer

NOTES

1. The above is a guide for installing a BDS lighted windsock frame assembly. The installer must decide whether to use a 1" or larger support pipe for the installation. Everything below the shown pipe connect must be supplied "By Others".
2. The wiring cable that supplies power to the windsock frame and top beacon when ordered is not shown in this drawing. Support for the bottom support pipe is "By Others".
3. The BDS supplied 1" (ID) threaded connection has a 1.315 nominal outside diameter.
4. Galvanized schedule 40 pipe available at plumbing supply houses, Home Depot or Lowes stores is quite suitable.

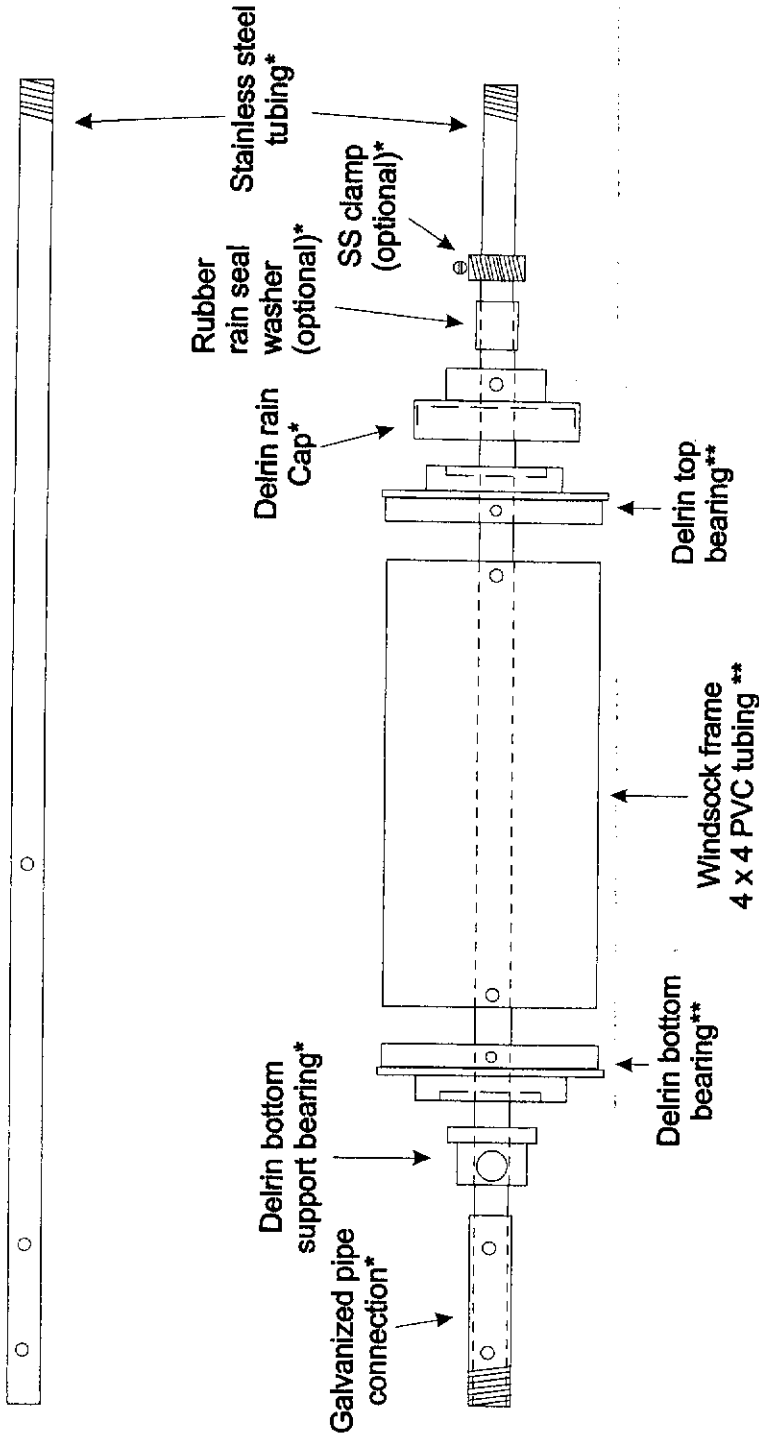
NO SCALE

BDS SYSTEMS INC.
939 NATHANIEL TRAIL • WARWICK, PA 18974

DRAWN KLB	DATE 1/20/09	LIGHTED WINDSOCKS INSTALLATION (Mech)
APPD RBB	DATE 7/1/13	LWFpipeCon1.dsf
		REV A

BDS WINDSOCK FRAME ASSEMBLY

(Exploded parts view)



NO SCALE

BDS SYSTEMS INC.		839 NATHANIEL TRAIL • WARWICK, PA 18974	
DRAWN KLB	DATE 10/10/11	Windsock frame assembly	
APPD RBB	DATE 7/1/13	LWF740partsview.dsf	
		REV	

Notes

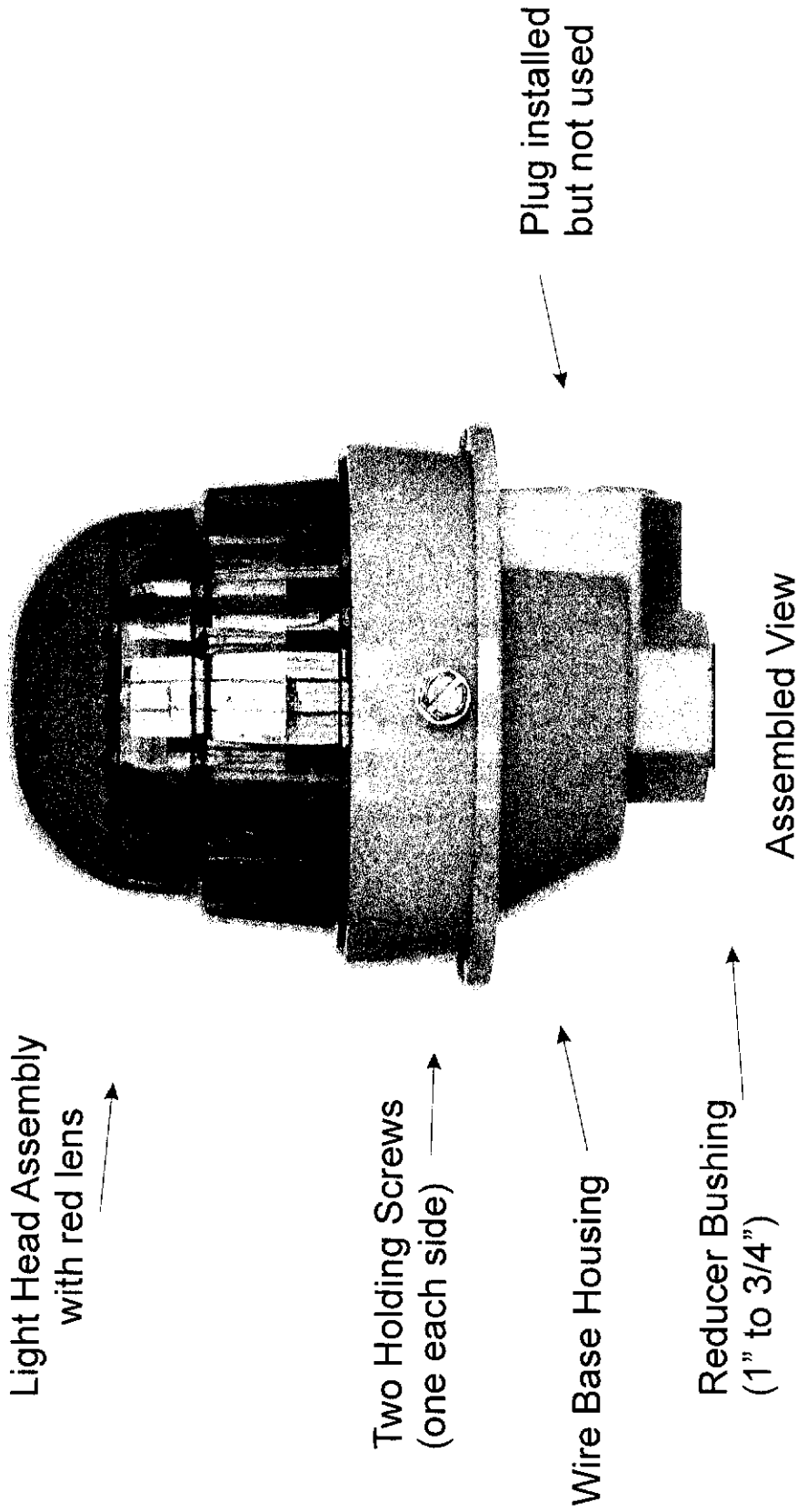
1. Windsock frame support rods and windsock mounting ring not shown.
2. Miscellaneous screws / bolts not labeled. All parts not shown.
3. Center support tubing shown separately and with parts assembly.
4. Items with single asterisk (*) are stationary and do not move.
5. Items with double asterisk (**) rotate with the direction of the wind.
6. Electronics inside the tubing and LED light assembly not shown.
7. All Delrin parts white. All SS parts 304 stainless unless noted.

Specifications subject to change without notice

www.bdsystems.com/700d.html

215-345-0436

Dialight RTO-1R08-001, 12 Volt DC Obstruction Light
Dialight RTO-1R07-001, 120 Volt AC Obstruction Light



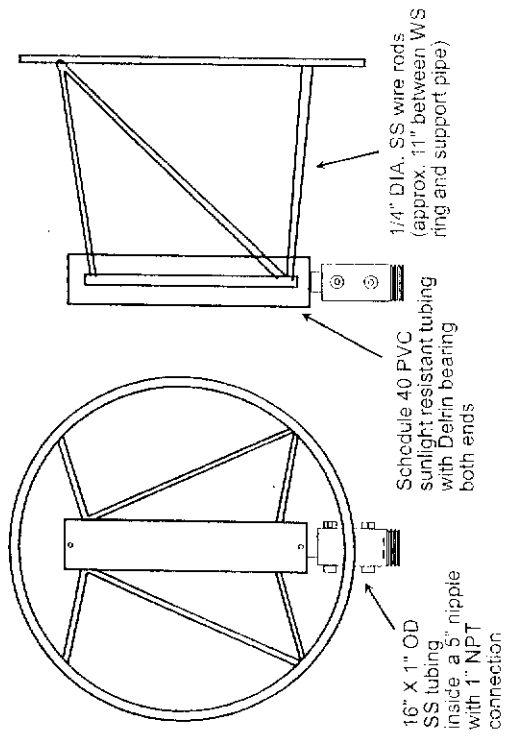
NOTES

1. Carefully remove packing material from light assembly.
2. Check unit for correct power input voltage and wire accordingly.
3. Loosen the two (2) holding screws and remove the base from head assembly.
4. Screw wire base housing onto the threaded pipe on top of windsock frame.
5. Feed wires from light assembly down through base housing on windsock frame.
6. Place head assembly on top of base housing and tighten the holding screws.
7. Check unit is secure and wires are not damaged.

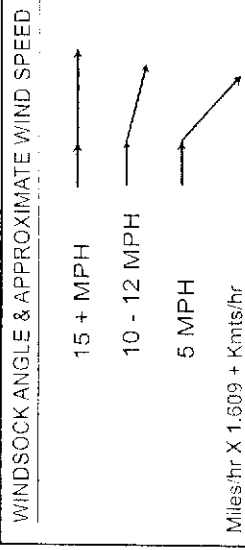
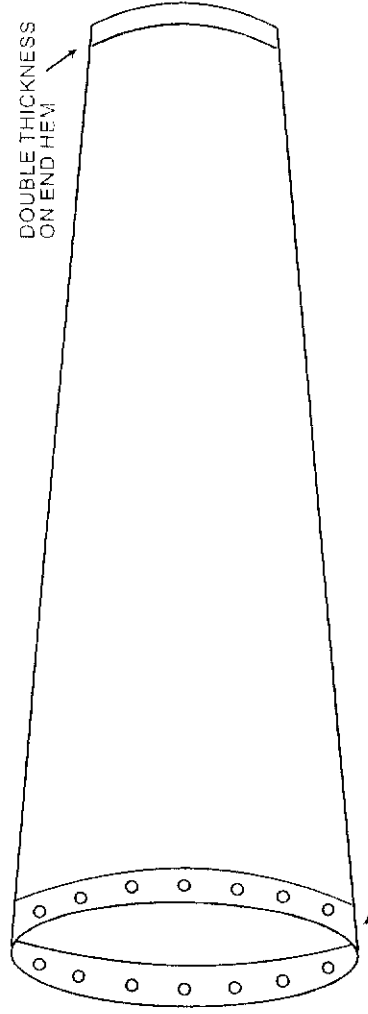
NO SCALE

BDS SYSTEMS INC.		939 NATHANIEL TRAIL • WARWICK, PA 18974	
DRAWN KLB	DATE 1/30/08	Installing a Dialight RTO on Lighted Windsock Frame	
APPD RBB	DATE 1/4/16	BDSRTO12_120lit.des	REV C

FRAME ASSEMBLY (Non-lighted)



- FRAME INSTALLATION** (B18 frame shown, B24 / B36 similar)
1. Bottom frame connection supplied with a 1" NPT SS pipe nipple for easy installation. (details shown at right)
 2. Install on 1" or larger support pipe using proper couplings supplied "By Others". Check all screw connections. Recommend 6" or longer support pipe.
 3. Install windsock on frame using self-locking nylon ties.
 4. No parts to lubricate or service. No part will rust or corrode.
 5. Windsock should be installed in an open free air space - not near fans stacks or other locations which will result in unreliable wind readings.



NOTES

- All standard International Orange (nylon), other materials available
- Windsocks are FAA approved
- Frames all Stainless Steel or non-corrosive parts. No parts to rust. No ball bearings - Delrin bearings. No maintenance
- Order frames and / or windsocks by model / part number/s
- All pricing in US dollars. Shipping FOB Warwick PA USA
- Self-locking weather-resistant nylon black ties are supplied when windsock & frame are ordered together on the same order.
- Letters & designs printed on windsocks - consult BDS Systems
- 18" lighted windsock frames standard, 24" and 36" available
- Lighted windsocks visit: www.bdsystems.com
- All items made in the USA
- Inches X 2.540 = cm
- Feet X 0.3048 = mts
- Cm X 0.3937 = inches
- Meters X 3.281 = feet

NO SCALE

WINDSOCKS

MODEL	PART NO.	MAT'L (Nylon)	MOUTH (IN)	BODY (LENGTH) (IN)	TAIL (OUT)
WF18	C421-IO	INT'L ORANGE	18"	5'-0"	8"
WF18	C422-IO	INT'L ORANGE	18"	8'-0"	8"
WF24	C423-IO	INT'L ORANGE	24"	8'-0"	12"
WF36	C425-IO	INT'L ORANGE	36"	10'-0"	12"
WF36	C427-IO	INT'L ORANGE	36"	12'-0"	12"

FRAMES

MODEL	PART NO.	MAT'L (Nylon)	MOUTH (IN)	BODY (LENGTH) (IN)	TAIL (OUT)
WF18	C421-IO	INT'L ORANGE	18"	5'-0"	8"
WF18	C422-IO	INT'L ORANGE	18"	8'-0"	8"
WF24	C423-IO	INT'L ORANGE	24"	8'-0"	12"
WF36	C425-IO	INT'L ORANGE	36"	10'-0"	12"
WF36	C427-IO	INT'L ORANGE	36"	12'-0"	12"

BDS SYSTEMS INC.

939 NATHANIEL TRAIL • WARWICK, PA 18974

DRAWN	DATE	DATE	REV
KLB	11/23/15	2/24/17	
APPD	RBB	WINDS17.des	
		FRAMES & WINDSOCKS	

Pricing and specifications subject to change without notice.

In this new drawing (WINDS17.des) the frames model labeling has been changed to better reflect the frames description. No change in pricing.

215-345-0436

BDS SYSTEMS INC.

939 NATHANIEL TRAIL • WARWICK, PA 18974

Thank you for choosing BDS Systems.
After you have installed the lighted windsock we would appreciate it if you could take some digital pictures of the installation and email them to us. Please let us know the location details and purpose of the installation.
Our email address is: bruce@bdssystems.com

Thank you.
Bruce Balderson
BDS Systems Inc.
939 Nathaniel Trail
Warwick, PA 18974-6147 USA
215-345-0436, web site: www.bdssystems.com